

KBC powerBox

Turn-Key Power Enclosure for Pole Mounted Security



Integrated Pole Mount

Connect to Pole Via Hose Clamp



Power for Antenna/Cellular Gateway

24/48 VDC PoE or 12-24-48 VDC

Rugged PoE IP Camera Power

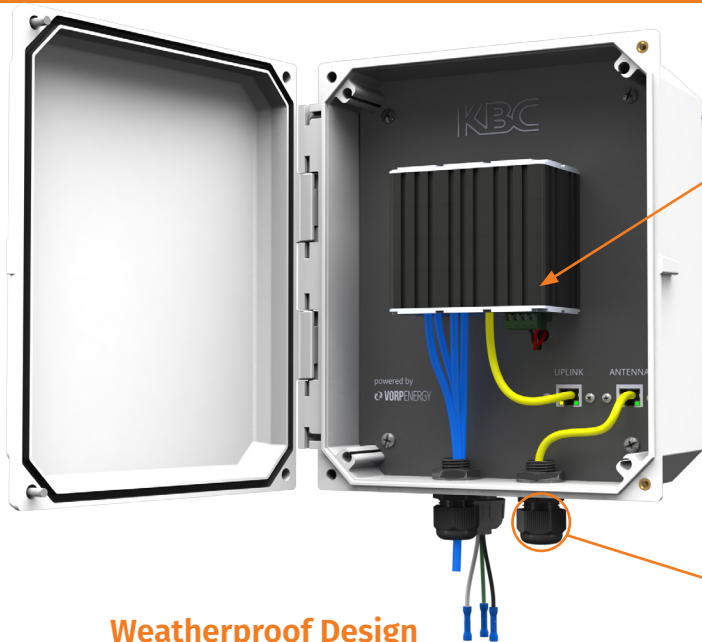
Power Up to (4) Cameras (802.3af/at)

Lightpole Solutions

For IP Cameras and Antennas

Popular Applications

- **Transmit Video**
Power IP Cameras & Antenna on a Pole or Wall using a local high voltage source.
- **Connect & Power Network Equipment**
Power Multiple Antennas to create a wireless bridge or access point on a Pole or Wall using a local high voltage source.



Plug & Play PoE Ports

Outputs Pre-Configured for the Specific Application

Various Configurations Available

See Infographics Below for Example Setups

Weatherproof Design

Rugged Polycarbonate Enclosure
Polyurethane Gasket

Cable Glands

Secure Wires & Keep Moisture Out

KBC Networks

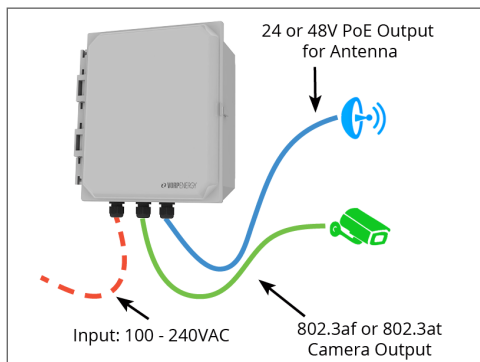
- 📍 15 Brookline
Aliso Viejo, CA 92656
- 📞 Phone : + (949)297-4930
- ✉ E-Mail : sales@kbcnetworks.com

KBC powerBox

Turn-Key Power Enclosure for Pole Mounted Security

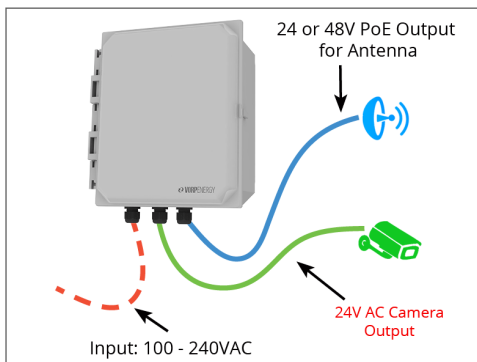
- Wireless Surveillance Applications

Note that most IP cameras without heaters and blowers are powered by the 802.3AF standard. Most PTZ's will require 802.3AT or 24VAC to power due to the heater & blower.



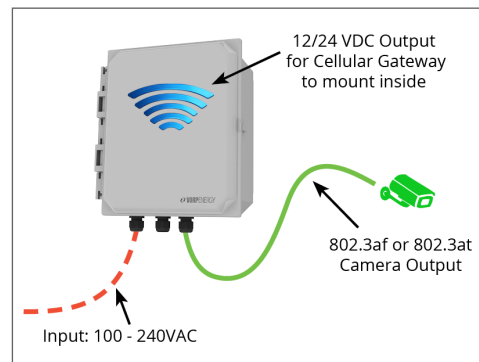
Power (1) IP Camera & (1) Antenna off 100-240VAC

Use **KBC-SPB-1AF-24** or **/48** for an 802.3af camera.
Use **KBC-SPB-1AT-24** or **/48** for an 802.3at camera.



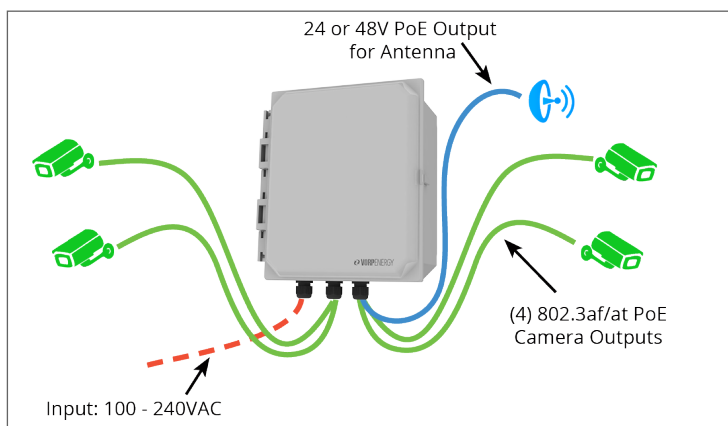
Power (1) 24V AC IP Camera & (1) Antenna off 100-240VAC

Use **KBC-SPB-24VAC-24** for a 24V AC camera up to **1.6A**.
Use **KBC-SPB-24VAC-24** for a 24V AC camera up to **4A**.



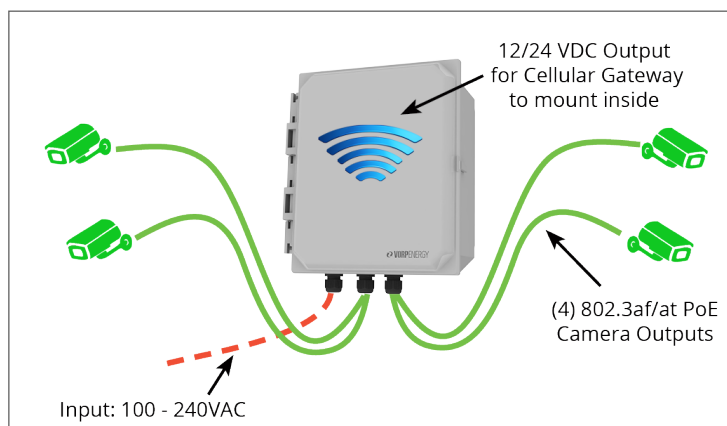
Power (1) IP Camera & (1) Cellular Gateway off 100-240VAC

Use **SPC-1AF-TL** for an 802.3af camera and the **SPC-1AT-TL** for an 802.3at camera.



Power (4) 802.3af/at Cameras & (1) Antenna off 100-240VAC

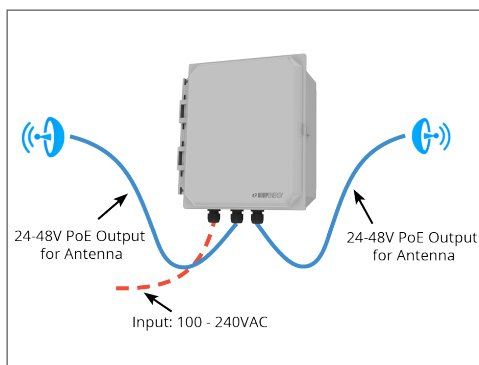
Use the **KBC-SPB-4AF-24** for up to (4) 802.3af/at cameras and (1) 24V PoE antenna. **KBC-SPB-4AF-48** for (1) 48V PoE antenna.



Power (4) 802.3af/at Cameras & (1) Cellular Gateway off 100-240VAC

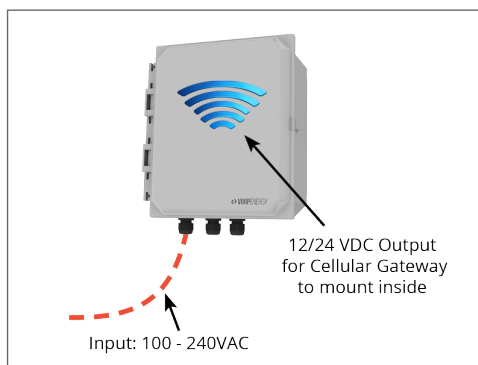
Use the **KBC-SPB-4AF-TL** for up to (4) 802.3af/at cameras and (1) ThruLink

- Wireless Relay / Cellular Gateway Applications



Power (2) Antennas off 100-240VAC

Use **KBC-KBC-SPB-24-24** for (2) 24V PoE Antennas or **KBC-KBC-SPB-48-48** for (2) 48V PoE Antennas.



Power (1) Cellular Gateway as a "hotspot" off 100-240VAC

Use **KBC-SPB-TL** for (1) ThruLink